



Electrical Distribution Solutions

Automatic Transfer Switches



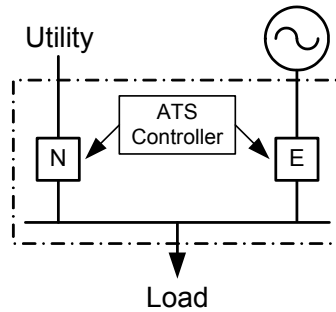
Transfer Switch with
Bypass Isolation



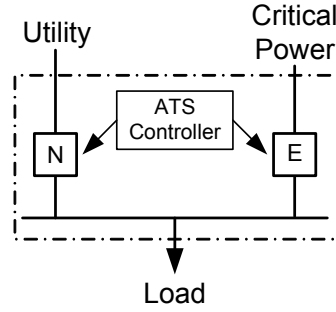
Transfer Switch without
Bypass Isolation

- **UL 1008 and UL891 versions available**
- **Provides automatic transfer to between power sources**
 - Utility source and standby generation
 - Two utility sources
 - Two power sources in critical applications (primary and critical power)
- **Uses Woodward ATS Controller for transfer logic and generator run control**
- **May use generation to proactively isolate the facility from the utility during emergencies and severe weather**
- **Open transition and momentary closed transition designs**
- **Fixed and draw out breaker designs**
- **800 – 5000A**
- **Indoor Type 1, Outdoor Type 3R; stainless steel structures available**
- **Optional service entrance rating so separate service entrance rated switchgear is not necessary**
- **Optional bypass isolation for outage free maintenance using integrated key interlocking**
- **Optional integrated switchboard to eliminate cabling to a distribution switchboard**
- **Manufactured per UL requirements, and applicable NEMA and ANSI standards**
- **Provide replacement/upgrade of existing equipment and fitting new gear to existing equipment capabilities**
- ***Vendor neutral; freedom to use best equipment for the application or to meet your preferences***
- ***Design/Build and Custom Switchgear Specialists***
- ***Protection, metering, control, automation and integration expertise***

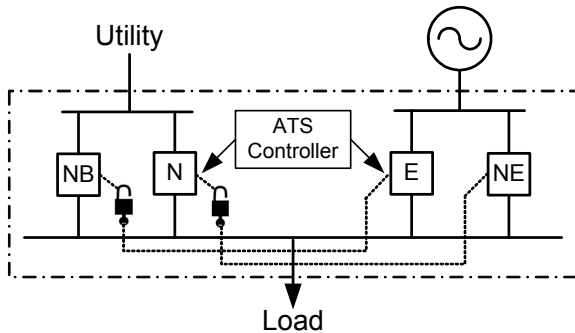
Typical Automatic Transfer Switch Applications:



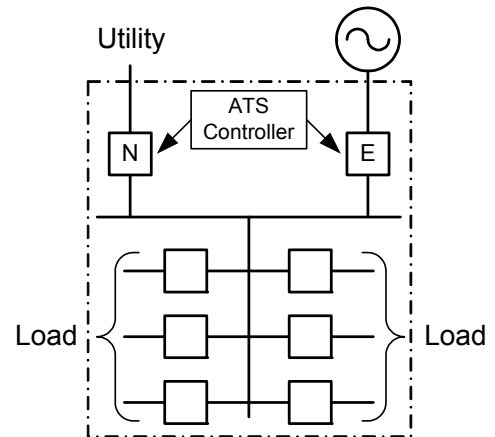
Utility/Generator Transfer



Utility/Critical Power Transfer



Utility/Generator Transfer with Key Interlocked Bypass Isolation



Utility/Generator Transfer with Integrated Switchboard

Applicable Standards

UL (Underwriters Laboratory)

- 891, Dead-Front Switchboards
- 1558, Metal-Enclosed Low-Voltage Power Circuit Breaker Switchgear
- 1066, Low-Voltage AC and DC Power Circuit Breakers Used in Enclosures
- 1008, Transfer Switch Equipment

ANSI: American National Standards Standard Institute

- C37.11 Power Circuit Breaker Control
- C37.13 Low-Voltage AC Power Circuit Breakers Used in Enclosures
- C37.16 Preferred Ratings, Related Requirements, and Application Recommendations for Low-Voltage AC (635 V and below) and DC (3200 V and below) Power Circuit Breakers
- C37.17 Trip Devices for AC and General Purpose DC Low Voltage Power Circuit Breakers
- C37.20.1 Metal-Enclosed Low-Voltage Power Circuit Breaker Switchgear
- C37.51 Conformance Testing of Metal-Enclosed Low-Voltage AC Power Circuit Breaker Switchgear Assemblies
- C37.100 Definitions for Power Switchgear
- NFPA 70, National Electrical Code

NEMA: National Electrical Manufacturers Association

- SG-3 Low-Voltage Power Circuit Breakers
- SG-5 Power Switchgear Assemblies
- SG 6 Power Switching Equipment