



*Intelligent Power Systems*

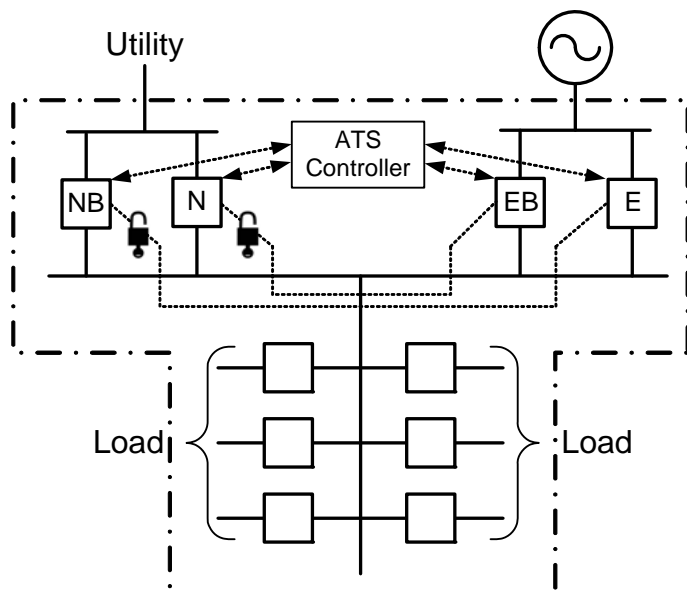
## ATS with Integrated LVSG Distribution

- Save space, installation time and installation cost
- Bused connections between sections improves reliability

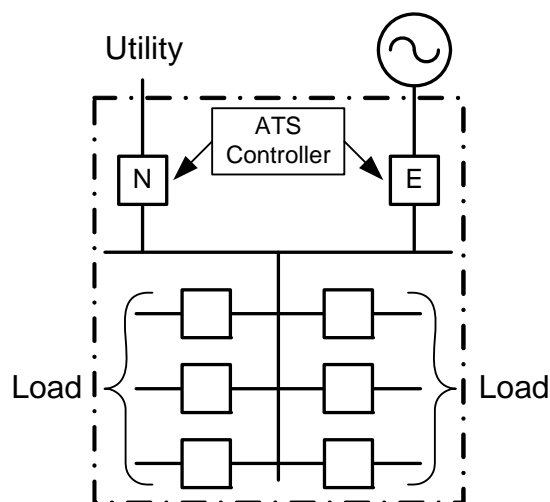


- UL 1008 and UL891 ATS
- UL891 LVSG
- Provides automatic transfer to between power sources
  - Utility source and standby generation
  - Two utility sources
  - Two power sources in critical applications (primary and critical power)
- 1200A – 5000A\*\*
- Fixed and draw out breaker designs
- Uses PowerSecure PS 200 ATS Controller for transfer logic and generator run control
- Open transition and momentary closed transition designs
- May use generation to proactively isolate the facility from the utility during emergencies and severe weather
- Indoor Type 1, Outdoor Type 3R; stainless steel structures available
- Manufactured per UL requirements, and applicable NEMA and ANSI standards
- Provide replacement/upgrade of existing equipment and fitting new gear to existing equipment capabilities
- Optional service entrance rating so separate service entrance rated switchgear is not necessary
- Optional bypass isolation for outage free maintenance using integrated key interlocking
- Optional integrated distribution switchboard to eliminate cabling, save space and decrease installation cost
- *Vendor neutral; freedom to use best equipment for the application or to meet your preferences*
- *Design/Build and Custom Switchgear Specialists*
- *Protection, metering, control, automation and integration expertise*

### Typical Automatic Transfer Switch with Integrated Low Voltage Switchgear Applications:



*Utility/Generator ATS with  
Key Interlocked Bypass Isolation  
and Integrated LVSG*



*Utility/Generator ATS  
with Integrated LVSG*

### Applicable Standards

#### *UL (Underwriters Laboratory)*

- 891, Dead-Front Switchboards
- 1558, Metal-Enclosed Low-Voltage Power Circuit Breaker Switchgear
- 1066, Low-Voltage AC and DC Power Circuit Breakers Used in Enclosures
- 1008, Transfer Switch Equipment

#### *ANSI: American National Standards Standard Institute*

- C37.11 Power Circuit Breaker Control
- C37.13 Low-Voltage AC Power Circuit Breakers Used in Enclosures
- C37.16 Preferred Ratings, Related Requirements, and Application Recommendations for Low-Voltage AC (635 V and below) and DC (3200 V and below) Power Circuit Breakers
- C37.17 Trip Devices for AC and General Purpose DC Low Voltage Power Circuit Breakers
- C37.20.1 Metal-Enclosed Low-Voltage Power Circuit Breaker Switchgear
- C37.51 Conformance Testing of Metal-Enclosed Low-Voltage AC Power Circuit Breaker Switchgear Assemblies
- C37.100 Definitions for Power Switchgear
- NFPA 70, National Electrical Code

#### *NEMA: National Electrical Manufacturers Association*

- SG-3 Low-Voltage Power Circuit Breakers
- SG-5 Power Switchgear Assemblies
- SG 6 Power Switching Equipment

\*\* = 5000A, UL 891 listing only